



THE NEW COMBO LIFE

Price and Specification Guide
22 March 2019 | Model Year 2019





CONTENTS

COMBO LIFE HIGHLIGHTS

Explore the Combo Life standard features and key options.

MODELS

Find all the information you need about your chosen model.

PRICES

Find recommended retail prices and tax bands.

FEATURES/OPTIONS

Tailor your chosen model to suit your needs with everything from a satellite navigation to rear-view camera and parking sensors.

EXTERIOR COLOURS

Add some sparkle to your car with a metallic paint.

PERFORMANCE, FUEL ECONOMY AND EMISSIONS

Know how many litres you are using around town, the CO₂ figures and the 0–100km time.

DIMENSIONS

Ensure your car will fit in the garage and know how much luggage you can take for a long weekend away.

SPECIFICATIONS

Towing weights, engine details and other useful details you may need to know.



COMBO LIFE HIGHLIGHTS



ENERGY RRP from €23,840

Features:

Exterior:

- Electrically adjustable / heated door mirrors
- Electrically operated front windows
- Nearside and offside sliding side-access doors with opening windows
- Daytime running lights
- Tailgate with heated rear window and wiper
- Body-colour front and rear bumpers
- Emergency tyre inflation kit
- Body-colour exterior door mirrors and handles
- Front and rear parking sensors
- Front fog lights
- 16-inch alloy wheels with 205/60 R16 tyres
- Automatic windshield wipers
- High beam assist
- Body-colour side protection mouldings

Interior:

- Height-adjustable driver's seat
- 60/40 split-folding rear seat back
- Air conditioning
- Steering wheel mounted audio controls
- 3.5-inch colour display
- Chrome-effect instrument rings
- Chrome-effect interior door handles

Infotainment:

- AM/FM/DAB digital radio, Bluetooth®, USB audio connection with four speakers
- Touchscreen infotainment system
- 8-inch colour touchscreen

ENERGY (continued)

Safety / security:

- Automatic emergency braking with pedestrian detection
- Electronic stability programme with traction control
- Forward collision alert
- Lane keep assist with lane departure warning
- Automatic lighting control
- Keyless entry and start (on automatic models)
- Cruise control with speed limiter
- Speed sign recognition
- Six airbags
- Driver drowsiness system

7-SEAT RRP from €25,560

7-seat models additionally feature:

- 35/30/35 split-folding second-row seats with fold-flat facility
- Two individual split-folding and removable third-row seats
- Sliding facility for third-row seats (XL models only)
- Front-seat back pockets
- Two foldable tables with cupholders

KEY OPTIONS Total including taxes

| | |
|-------------------------------------|-------|
| Looking good: | |
| Brilliant paint | €155 |
| Metallic / pearlescent paint | €600 |
| Easier parking: | |
| Parking Pack | €500 |
| Winter warming: | |
| Winter Pack | €250 |
| Driving assistance: | |
| Advanced park assist | €985 |
| Satellite Navigation systems | €920 |
| Practicality: | |
| Full-length panoramic glass sunroof | €1250 |
| All-weather Pack | €250 |
| Wireless charger for mobile devices | €180 |
| Child Pack | €300 |
| Tow bar | €650 |
| Roof rails | €275 |



ENERGY



ENERGY ON-THE-ROAD PRICES

| | | 5-seat MPV RRP | 7-seat MPV RRP |
|--------|-----------------------------------|-------------------|-------------------|
| Petrol | 1.2 (110PS) Turbo S/S | €23,840 | – |
| Diesel | 1.5 (100PS) Turbo D S/S | €24,610 | €25,560 |
| | 1.5 (130PS) Turbo D S/S automatic | €28,480 | – |

ENERGY XL ON-THE-ROAD PRICES

| | | | |
|--------|-------------------------|---|---------|
| Diesel | 1.5 (100PS) Turbo D S/S | – | €26,960 |
|--------|-------------------------|---|---------|

The above is for information purposes only as our products are continually updated and changes may be made to the specifications at any time. If you require any specific feature, you must consult your authorised Opel Dealer who is regularly updated with any change in specification. Specifications are subject to change without notice. RRP does not include recommended delivery charge of €700. This price includes the recommended cost of PDI, number plates and delivery to an Opel Dealer. The recommended delivery charge does not include fuel supplied by the dealer, Motor insurance or any other goods or services supplied by agreement between the Dealer and the customer.

Prices effective 22.3.19 Prices subject to alteration or change without notice or obligation.

S/S = Start/Stop.

FEATURES

Infotainment:

- Touchscreen infotainment system digital radio, Bluetooth® audio streaming, Bluetooth® mobile phone portal, USB audio connection
- 8-inch colour touchscreen
- Apple CarPlay™ / Android Auto™
- Six speakers

Interior convenience / styling:

- Height-adjustable driver's seat
- Air conditioning
- Steering wheel mounted audio controls
- Chrome-effect instrument rings
- Chrome-effect interior door handles
- 60/40 split-folding rear seat back (5-seat models)
- 35/30/35 split-folding second-row seats with fold-flat facility (7-seat models)
- Two individual split-folding and removable third-row seats (7-seat models)
- Sliding facility for third-row seats (7-seat XL models only)
- Front-seat back pockets (7-seat models)
- Two foldable tables with cupholders (7-seat models)

Exterior convenience / styling:

- Keyless entry and start – Standard on automatic models only.
- Automatic windscreen wipers
- High beam assist
- Front and rear parking sensors

- Front fog lights
- Electrically adjustable / heated body-colour door mirrors
- Electrically operated front windows with safety autoreverse and one-touch up/down facility
- Nearside and offside sliding side-access door with opening windows
- Daytime running lights
- Tailgate with heated rear window and wiper
- Body-colour bumpers, door handles and side-access door railcovers
- Body-colour side protection mouldings
- 16-inch alloy wheels with 205/60 R16 tyres
- Emergency tyre inflation kit

Safety / security:

- Automatic emergency braking with pedestrian detection
- Electronic stability programme with traction control
- Anti-lock braking system
- Forward collision alert
- Emergency brake assist
- Lane keep assist with lane departure warning
- Automatic lighting control
- Cruise control with speed limiter
- Speed sign recognition
- Six airbags
- Driver drowsiness system



COMBO LIFE PRICES

| | Transmission | Fuel Type | Tax € | RRP € |
|---------------------------|--------------|-----------|-------|--------|
| ENERGY | | | | |
| 1.2 (110PS) Turbo S/S | Manual | Petrol | 270 | 23,840 |
| 1.5 (100PS) Turbo D S/S | Manual | Diesel | 200 | 24,610 |
| 1.5 (130PS) Turbo D S/S | Automatic | Diesel | 200 | 28,480 |
| ENERGY (7-seat) | | | | |
| 1.5 (100PS) Turbo D S/S | Manual | Diesel | 200 | 25,560 |
| ENERGY XL (7-seat) | | | | |
| 1.5 (100PS) Turbo D S/S | Manual | Diesel | 200 | 26,960 |

S/S = Start/Stop.

The above is for information purposes only as our products are continually updated and changes may be made to the specifications at any time. If you require any specific feature, you must consult your authorised Opel dealer who is regularly updated with any change in specification. Specifications are subject to change without notice. RRP does not include recommended delivery charge of €700. This price includes the recommended cost of PDI, number plates and delivery to an Opel Dealer. The recommended delivery charge does not include fuel supplied by the dealer, Motor insurance or any other goods or services supplied by agreement between the Dealer and the customer. Prices effective 22.3.19. Prices subject to alteration or change without notice or obligation.



FEATURES/OPTIONS

SAFETY

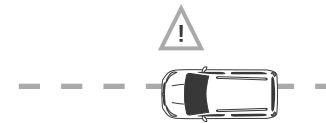
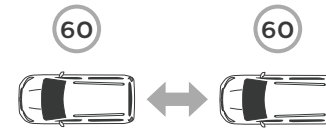
| | Option Code | Energy | Prices including taxes (€) |
|---|-------------|--------|----------------------------|
| Driver / passenger airbags <ul style="list-style-type: none"> • Driver's airbag • Front passenger's airbag • Two front seat side-impact airbags • Full-size curtain airbags for driver and front and outer rear seat passengers | | ● | |
| Seatbelts <ul style="list-style-type: none"> • Lap and diagonal inertia-reel seatbelts (height-adjustable front) • Front body-lock diagonal seatbelt pretensioner system – Tightens the seatbelt during the early stages of a frontal impact . • Drivers and front passenger's lap belt pretensioner system • Front seatbelt force limiters – Reduces potential upper body injuries during a frontal impact • Anti-submarining ramps in front seats – Help prevent occupants sliding underneath the lap belt during a collision • 'Seatbelt unfastened' audible warning and warning light. | | ● | |
| Child safety <ul style="list-style-type: none"> • Deactivation switch for front passenger's front and side-impact airbags – Permits the safe use of a child seat in the front passenger seat. • ISOFIX child seat mountings incorporating top tether anchor points located on second-row rear seats (does not include child seat) – Allows ISOFIX child safety seats to be securely fixed into the car. The ISOFIX mounting system reduces forward movement in an accident and makes the child seat easier to install. • Child-proof locks on rear doors | | ● | |
| Driver / passenger safety <ul style="list-style-type: none"> • Energy-absorbing steering column • Side-impact protection beams • Reinforced passenger safety cell • Deformation zones front and rear | | ● | |
| Braking and stability <ul style="list-style-type: none"> • Electronic stability programme • Anti-lock braking system • Corner stability control • Traction control • Hill start assist • Engine drag torque control – Improves directional stability by preventing the driven wheels from locking on slippery surfaces under the influence of engine braking. • Emergency brake assist • Electronic brakeforce distribution | | ● | |
| Tyre pressure <ul style="list-style-type: none"> • Deflation detection system | | ● | |



FEATURES/OPTIONS

DRIVER ASSISTANCE

| | Option Code | Energy | Prices including taxes (€) |
|--|-------------|--------|----------------------------|
| <p>Mechanical parking brake</p> <ul style="list-style-type: none"> Floor-mounted handbrake lever | | ● | |
| <p>Cruise control with speed limiter and intelligent speed adaptation</p> <p>The cruise control feature enables you to maintain a constant speed – making it ideal for economical motorway driving. The speed limiter function can be set to ensure that you do not exceed the speed limit and can be easily overridden if required. Working in conjunction with speed sign recognition, when a new speed limit is detected a message appears in the driver information display. You can then set the cruise control to the new speed limit with a simple press on a steering wheel button.</p> | | ● | |
| <p>Front camera system</p> <p>A range of class-leading driver assistance and safety features are controlled by the front camera system.</p> | | | |
| <p>Lane keep assist with lane departure warning</p> <p>If the driver has not actively steered or signalled, the lane departure warning system provides gentle steering correction and warns when the car moves outside of lane markings at speeds above 65km/h.</p> <ul style="list-style-type: none"> Warning light in instrument cluster Audible warning Facia on/off switch | | ● | |
| <p>Speed sign recognition</p> <p>Detects and then displays speed limits, reducing uncertainty and the risk of speeding.</p> <ul style="list-style-type: none"> Recognises different speed signs, including temporary speed restrictions Displays reminder in the instrument cluster | | | |
| <p>Driver drowsiness system</p> <p>The system monitors driving time and driving behaviour to help prevent accidents caused by tiredness.</p> | | ● | |
| <p>Forward collision alert</p> <p>The system operates automatically from 5km/h and gives an audible warning as well as a visual warning when approaching another vehicle too quickly.</p> | | ● | |





FEATURES/OPTIONS

DRIVER ASSISTANCE CONTINUED

| | Option Code | Energy | Prices including taxes (€) |
|---|-------------|--------|----------------------------|
| <p>Automatic emergency braking with pedestrian detection</p> <p>The system works automatically in conjunction with forward collision alert, at speeds between 5 and 85km/h, and detects both vehicles and pedestrians. If no avoiding action is taken by the driver, at speeds below 30km/h the system automatically slows the vehicle to a full stop with emergency braking of 0.9g. At speeds above 30km/h it brakes automatically to reduce speed by a maximum of 22km/h – To reduce speed even further the driver must brake him/herself. The operational speed range of the system depends on the detected obstacle (mobile target: from 5 to 85km/h; fixed target: from 5 to 85km/h; pedestrian: from 5 to 60km/h). Opel driver assistance systems are intended to support the driver within the system-imminent limitations. The driver remains responsible for the driving task.</p> | | ● | |
| <p>Parking sensors</p> <ul style="list-style-type: none"> • Front and rear parking distance sensors with audible warning | | ● | |
| <p>Parking Pack</p> <p>Intelligent ultrasonic sensors form part of the solution for today's crowded roads and car parks – Delivering exceptional assistance both when parking and protecting you on the open road. – Only available in conjunction with optional navigation unit.</p> <ul style="list-style-type: none"> • 180° panoramic rear-view camera • Side blind spot alert • Electrically foldable door mirrors | XIEE | ○ | 500 |



FEATURES/OPTIONS

DRIVER ASSISTANCE CONTINUED

| | Option Code | Energy | Prices including taxes (€) |
|--|-------------|--------|----------------------------|
| <p>Advanced park assist</p> <p>Advanced park assist not only detects suitable parking spaces but also expertly steers into them for you. All you have to do is to drive forward or reverse and brake. The system works with both parallel and bay parking.</p> <ul style="list-style-type: none"> • Automatic pull-out function • Ultrasonic side sensors identify suitable parking spaces at speeds up to 20km/h • Fully automated steering • Detailed forward/reverse instructions are shown in the instrument cluster <p>– Only available when the optional Parking Pack is specified.</p> | UFQ | ○ | 985 |
| <p>Head-up display</p> <p>The head-up display projects key information onto the windscreen so that the driver's eyes remain on the road at all times. The display is adjustable for height and brightness. Displays:</p> <ul style="list-style-type: none"> • Navigation directions (where fitted) • Speedometer • Rev counter • Set speed of cruise control and speed limiter • Forward collision alert | UV6 | ○ | 455 |
| <p>All Weather Pack</p> <p>For those drivers who regularly take their vehicle off road, this pack helps the driver cope with whatever conditions they encounter. Please note: The All Weather Pack option affects CO₂ emissions which may result in a change in Vehicle Excise Duty.</p> <ul style="list-style-type: none"> • IntelliGrip: A choice of five selectable modes to suit the driving conditions: ESP on, ESP off, snow, mud or sand • Includes all-weather tyres | PS4 | ○ | 250 |
| <p>Sight and Light Pack</p> <ul style="list-style-type: none"> • High beam assist • Rain-sensitive windscreen wipers | | ● | |
| <p>Automatic lighting control</p> | | ● | |



FEATURES/OPTIONS

SECURITY

| | Option Code | Energy | Prices including taxes (€) |
|--|-------------|--------|----------------------------|
| Standard security features <ul style="list-style-type: none"> • Electronically protected audio equipment • Engine deadlock immobiliser • Visible Vehicle Identification Number (VIN) • Locking wheel nuts | | ● | |
| Remote control central locking <ul style="list-style-type: none"> • Operates on doors, tailgate and fuel filler flap • Deadlocking • Driver's internal central locking activation switch • Two folding keys, each with integral remote control function | | ● | |
| Remote control security alarm system <ul style="list-style-type: none"> • Remote control (operates in conjunction with central locking) • Bonnet protection – Prevents access to the engine bay. • Visible security LED on fascia • Luggage protection – Monitors the luggage compartment preventing access. • Door protection – Monitors the position of all doors • Ultrasonic intrusion sensor • Power alarm sounder • Vehicle theft attempt and diagnostic indication – Shows in the display any attempt to enter or steal the vehicle during driver absence. | PS6 | ○ | 300 |



FEATURES/OPTIONS

DRIVER INFORMATION

| | Option Code | Energy | Prices including taxes (€) |
|--|-------------|--------|----------------------------|
| Instrumentation <ul style="list-style-type: none"> • Speedometer • Rev counter • Fuel gauge with low fuel level warning light • Water temperature gauge with warning light • Shift-up indication light (manual models only) – Indicates when to change gear for optimum fuel economy. | | ● | |
| Driver information display (centrally located in instrument cluster) <ul style="list-style-type: none"> • Displays trip computer data • Total mileage • Service-due indicator • Deflation detection system • 3.5-inch colour information display | | ● | |
| Multi-function trip computer (displayed on driver information display) <ul style="list-style-type: none"> • Trip mileage • Vehicle range based on remaining fuel • Average speed • Average fuel economy • Instantaneous fuel economy | | ● | |
| Central facia display (format dependent on infotainment unit) <ul style="list-style-type: none"> • Audio information • Digital clock with automatic RDS time adjustment • Outside air temperature with ice warning function • Additional features dependent on infotainment unit (see infotainment for details) | | ● | |



FEATURES/OPTIONS

SEATING AND COMFORT

| | Option Code | Energy | Prices including taxes (€) |
|--|-------------|--------|----------------------------|
| Adjustable steering column Reach and rake-adjustable steering column | | ● | |
| Comfort front seats Driver's seat <ul style="list-style-type: none"> • Height • Reach • Backrest • Manual lumbar adjustment • Armrest • Underseat storage • Four-way adjustable head restraint Front passenger's seat <ul style="list-style-type: none"> • Reach • Backrest • Four-way adjustable head restraint | | ● | |
| Rear seating Second-row (5-seat models) <ul style="list-style-type: none"> • Three-person layout 60/40 split-folding rear seat • Height-adjustable and removable head restraints • ISOFIX child seat mountings incorporating top tether anchor points located on rear seats (does not include child seat) – Allows ISOFIX child safety seats to be securely fixed into the car. The ISOFIX mounting system reduces forward movement in an accident and makes the child seat easier to install | | ● | |
| Rear seating Second-row (7-seat models) <ul style="list-style-type: none"> • Three-person layout 35/30/35 individual split-folding second-row seats with sliding function (XL models only) plus fold-flat facility • Height-adjustable and removable head restraints • ISOFIX child seat mountings incorporating top tether anchor points located on rear seats (does not include child seat) | | ● | |
| Rear seating Third-row (7-seat models) <ul style="list-style-type: none"> • Two individual removable/folding seats • Height-adjustable and removable head restraints | | ● | |
| Seat trim <ul style="list-style-type: none"> • Mistral Grey with Angora Stripe fabric seat trim inserts | | ● | |



FEATURES/OPTIONS

HEATING AND VENTILATION

| | Option Code | Energy | Prices including taxes (€) |
|---|-------------|--------|----------------------------|
| Air conditioning <ul style="list-style-type: none"> • Air recirculation facility • Cabin particulate filter – Removes dust, airborne particles and pollen. • Multi-speed fan • Illuminated controls | | ● | |
| Electronic climate control including air conditioning <ul style="list-style-type: none"> • Dual-zone control – Allowing different, temperature settings for driver and front passenger. • Advanced predictive logic control system using sun sensors • Partial air recirculation – Faster warm up/cool down. • Cabin particulate filter – Removes dust, airborne particles and pollen. • Automatic air direction and fan speed with manual override • LCD temperature display • Illuminated controls | CJ2 | ○ | 255 |
| Winter Pack <ul style="list-style-type: none"> • Heated leather-covered steering wheel • Heated front seats – Only available when cruise control and Safety Pack are specified. Not available on automatic models. | XIBV | ○ | 250 |



FEATURES/OPTIONS

INTERIOR CONVENIENCE AND STORAGE

| | Option Code | Energy | Prices including taxes (€) |
|---|-------------|--------|----------------------------|
| Mirrors <ul style="list-style-type: none"> Dipping rear-view mirror Driver's and front passenger's sunvisors incorporating illuminated vanity mirrors with covers | | ● | |
| Front compartments <ul style="list-style-type: none"> Two facia-mounted drinks holders Two drinks holders in centre console Large open storage pocket behind infotainment screen Small open storage compartment behind gear knob Two large and two small open door pockets Open storage compartment below glovebox Underseat drawer (driver's side) Full-width overhead storage shelf with ambient lighting | | ● | |
| Sunroof / storage <ul style="list-style-type: none"> Full-length panoramic glass sunroof with overhead storage and ambient lighting Storage compartments above rear seats with additional access from rear load area – Not available on XL models or 7-seat models. | C2K | ○ | 1250 |
| Rear compartments <ul style="list-style-type: none"> Two door pockets | | ● | |
| Child Pack <ul style="list-style-type: none"> Rear-view child-minder mirror – Located above the regular rear-view mirror and lets the driver as well as the front seat passenger keep an eye on the kids and the tailgate whilst maintaining full concentration on the road ahead. Rear side window sunblind Fold-flat passenger seat Luggage restraint net – Only available on 7-seat models. | WV6 | ○ | 300 |



FEATURES/OPTIONS

MECHANICAL

| | Option Code | Energy | Prices including taxes (€) |
|---|-------------|--------|----------------------------|
| Front-wheel drive | | ● | |
| Five-speed manual gearbox – 1.5 (100PS) diesel models. | | ▲ | |
| Six-speed manual gearbox – 1.2i (110PS) petrol models. | | ▲ | |
| Eight-speed automatic transmission – 1.5 (130PS) diesel models. | | ▲ | |



FEATURES/OPTIONS

INFOTAINMENT

| | Option Code | Energy | Prices including taxes (€) |
|--|-------------|--------|----------------------------|
| <p>Multimedia</p> <p>Onboard features:</p> <ul style="list-style-type: none"> • 8-inch colour touchscreen • AM/FM stereo radio with 25 Station presets • DAB Digital radio • RDS with Traffic Programme • 20 watts per channel output • Four speakers <p>Media connections:</p> <ul style="list-style-type: none"> • USB connection with iPod control • Bluetooth® A2DP audio streaming (Advanced Audio Distribution Profile) <p>Mobile phone portal:</p> <ul style="list-style-type: none"> • Bluetooth® connectivity • Handsfree calls via steering wheel controls • Vehicle microphone • Phone book access – Contacts/last calls/missed calls etc. are mirrored on the display and are easily navigated using the touchscreen (features dependent on mobile phone). <p>Smartphone interface:</p> <ul style="list-style-type: none"> • Apple CarPlay™ • Android Auto™ – Smartphone projection that allows operations via voice command, touchscreen and buttons to control apps and music playback. | | ● | |
| <p>Multimedia Navi Pro</p> <p>Onboard features:</p> <ul style="list-style-type: none"> • 8-inch colour touchscreen • AM/FM stereo radio with 25 Station presets • DAB Digital radio • RDS with Traffic Programme • 20 watts per channel output • Four speakers <p>Navigation features:</p> <ul style="list-style-type: none"> • Satellite navigation system • 3D street level mapping • European coverage • Structured or one-box destination entry • Points-of-interest search • Eco routing • Map updates via USB <p>Media connections:</p> <ul style="list-style-type: none"> • USB connection with iPod control • Bluetooth® A2DP audio streaming (Advanced Audio Distribution Profile) <p>Mobile phone portal:</p> <ul style="list-style-type: none"> • Bluetooth® connectivity • Handsfree calls via steering wheel controls • Vehicle microphone • Phone book access – Contacts/last calls/missed calls etc. are mirrored on the display and are easily navigated using the touchscreen (features dependent on mobile phone). <p>Smartphone interface:</p> <ul style="list-style-type: none"> • Apple CarPlay™ • Android Auto™ – Smartphone projection that allows operations via voice command, touchscreen and buttons to control apps and music playback. | IO6 | ○ | 920 |



FEATURES/OPTIONS

INFOTAINMENT CONTINUED

| | Option Code | Energy | Prices including taxes (€) |
|--|-------------|--------|----------------------------|
| Steering wheel mounted audio controls | | ● | |
| Power supply <ul style="list-style-type: none">• 12-volt electrical accessory socket in centre console• 12-volt electrical accessory socket (passenger side)• USB charging point in glovebox• USB charging / infotainment points – Infotainment unit and rear of centre console. | | ● | |
| 230-volt electrical accessory socket <ul style="list-style-type: none">• 230-volt electrical accessory socket – In lieu of passenger side 12-volt electrical accessory socket. | K15 | ○ | 180 |
| Wireless charging <ul style="list-style-type: none">• Wireless charger for mobile devices – Inductive wireless charging facility in lower fascia. | K4C | ○ | 180 |



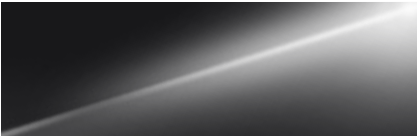


FEATURES/OPTIONS

EXTERIOR STYLING AND CONVENIENCE

| | Option Code | Energy | Prices including taxes (€) |
|--|-------------|--------|----------------------------|
| Body styling <ul style="list-style-type: none"> • Chrome-effect front grille bar • Body-colour door handles/mirrors • Body-colour bumpers and side-protection mouldings | | ● | |
| Windscreen / windows <ul style="list-style-type: none"> • Solar heat-absorbing windscreen • Two-speed windscreen wipers with variable intermittent wipe • Electrically operated front windows with safety autoreverse and one-touch facility • Tinted windows • Heated rear window • Intermittent rear window wash / wipe | | ● | |
| <ul style="list-style-type: none"> • Dark-tinted rear windows – Only available when Parking Pack and Tailgate with opening window options are specified. | AKO | ○ | 150 |
| Door mirrors <ul style="list-style-type: none"> • Twin electrically adjustable / heated door mirrors • Manually folding door mirrors • Electrically foldable door mirrors | | ● □ | |
| Tailgate <ul style="list-style-type: none"> • Glazed tailgate with heated window and wash / wipe facility • Glazed tailgate with opening heated window and wash / wipe facility – Only available with Parking Pack and dark-tinted rear windows. | J20 | ● ○ | 250 |
| Tow bar <ul style="list-style-type: none"> • Detachable tow bar • Trailer stability programme integrated into ESP system | VQ9 | ○ | 650 |
| Roof rails | E2R | ○ | 275 |



EXTERIOR COLOURS

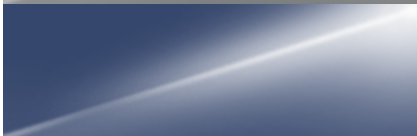
| | | | Option Code | Energy | Prices including taxes (€) |
|-----------|---|------------|-------------|--------|----------------------------|
| Solid |  | Onyx Black | G7R | ● | |
| |  | White Jade | G2O | ● | |
| Brilliant |  | Ruby Red | GEO | ○ | 155 |

The colours reproduced may vary slightly from the actual paint colour. As a result they should be used as a guide only. Your Opel Retailer has a comprehensive display of our paint samples.

● = Standard equipment. ○ = Optional at extra cost.



EXTERIOR COLOURS


| | | | Option Code | Energy | Prices including taxes (€) |
|----------|--|--------------------------|-------------|--------|----------------------------|
| Two-coat |  | Cool Grey metallic | GAC | O | 600 |
| |  | Moonstone Grey metallic | G4O | | |
| |  | Night Blue metallic | GBT | | |
| |  | Quartz Grey metallic | G4I | | |
| |  | Cosmic Brown pearlescent | GLV | | |

The colours reproduced may vary slightly from the actual paint colour. As a result they should be used as a guide only. Your Opel Retailer has a comprehensive display of our paint samples.

O = Optional at extra cost.



WHEELS AND TYRES

| | Option Code | Energy | Prices including taxes (€) |
|---|-------------|--------|----------------------------|
|  <p>16-inch seven-spoke alloy wheels</p> <ul style="list-style-type: none">• 205/60 R 16 tyres• Emergency tyre inflation kit (in lieu of spare wheel) | | ● | |
| Full-size steel spare wheel (in lieu of emergency tyre inflation kit) | RU9 | ○ | 180 |



PERFORMANCE, FUEL ECONOMY AND EMISSIONS

| | Performance (manufacturer's figures) | | | | Fuel economy litres/100km# | | CO ₂ emissions g/km# | |
|-----------------------------------|---|---------------------|----------------------|------------------------------|-------------------------------|---------------|------------------------------------|---------------|
| | Fuel Type | Wheel size (inches) | Maximum speed (km/h) | Acceleration 0–100km/h (sec) | Combined Low | Combined High | Combined Low | Combined High |
| COMBO LIFE | | | | | | | | |
| 1.2 (110PS) Turbo S/S | Petrol | 16 | 175 | 12.2 | 6.7 | 7.5 | 151 | 170 |
| 1.5 (100PS) Turbo D S/S | Diesel | 16 | 172 | 13.1 | 5.6 | 6.7 | 146 | 176 |
| 1.5 (130PS) Turbo D S/S automatic | Diesel | 16 | 183 | 11.8 | 5.6 | 6.2 | 146 | 164 |
| COMBO LIFE (7-SEAT) | | | | | | | | |
| 1.5 (100PS) Turbo D S/S | Diesel | 16 | 170 | 13.1 | 5.6 | 6.7 | 146 | 176 |
| COMBO LIFE XL (7-SEAT) | | | | | | | | |
| 1.5 (100PS) Turbo D S/S | Diesel | 16 | 170 | 13.4 | 5.6 | 6.7 | 146 | 176 |

S/S = Start/Stop.

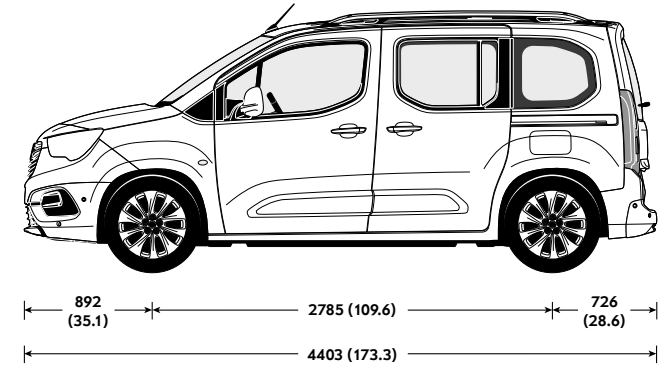
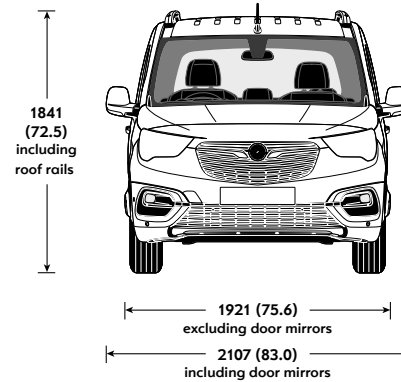
#Fuel consumption and CO₂ emissions figures are determined according to the WLTP test cycle. Full data relating to WLTP test cycles can be found at: www.opel.ie/wltp

Figures are intended for comparability purposes only. The fuel consumption you achieve under real life driving conditions and CO₂ produced will depend upon a number of factors, including the accessories fitted after registration, variations in driving styles, weather conditions and vehicle load. Only compare fuel consumption and CO₂ with other vehicles tested using the same technical procedures. For more information contact your local Opel Dealer

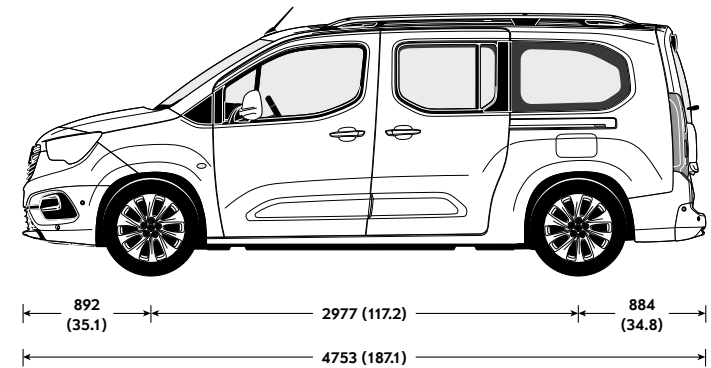
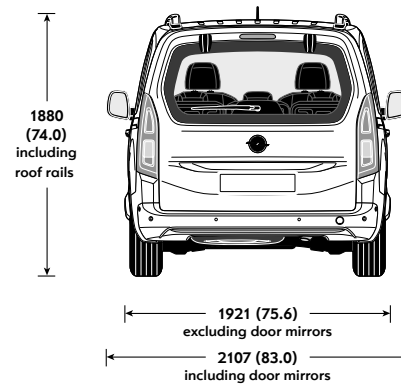


DIMENSIONS

| COMBO | LIFE | LIFE XL |
|---|---------------------------|---------------------------|
| Loadspace Dimensions millimetres (inches) | | |
| Maximum load floor length – passenger seat folded | 2700 (106.3) | 3050 (120.1) |
| Maximum load length – behind front seats | 1880 (74.0) | 2230 (87.8) |
| Maximum load length – behind second-row seats | 914 (36.0) | 1350 (53.1) |
| Maximum load length – behind third-row seats | 236 (9.3) | 418 (16.5) – 566 (22.3) |
| Maximum load height | 1126 (44.3) | 1119 (44.0) |
| Maximum load width | 1195 (47.0) | 1195 (47.0) |
| Maximum width between wheel arches | 1149 (45.2) | 1129 (44.4) |
| Loading height | 584 (23.0) | 620 (24.4) |
| Maximum tailgate aperture width | 1087 (42.8) – 1241 (48.9) | 1087 (42.8) – 1241 (48.9) |
| Maximum tailgate aperture height | 1126 (44.3) | 1126 (44.3) |
| Maximum height under raised tailgate | 1892 (74.5) | 1892 (74.5) |
| Maximum side-access aperture width | 640 (25.2) – 745 (29.3) | 640 (25.2) – 745 (29.3) |
| Maximum side-access aperture height | 1145 (45.1) | 1145 (45.1) |
| Loadspace Capacities* litres (cu.ft.) | | |
| Behind front-row seats to glassline | 1414 (49.9) | 1672 (59.0) |
| Behind front-row seats to roof | 2126 (75.1) | 2693 (95.1) |
| Behind second-row seats to glassline | 597 (21.1) | 850 (30.0) |
| Behind second-row seats to roof | 983 (34.7) | 1538 (54.3) |
| Behind third-row seats | 571 (20.2) | 806 (28.5) |



LIFE



LIFE XL

All measurements are in mm (inches) unless stated otherwise.

*Measured using the VDA method.



SPECIFICATIONS

Transmission

Five-speed manual gearbox:

1.5 (100PS) Turbo D models.

Six-speed manual gearbox:

1.2 (110PS) Turbo models.

Eight-speed automatic transmission:

1.5 (130PS) Turbo D models.

Replacing the traditional lever, the automatic transmission selection-mode dial/drive wheel is an innovation solution that is both elegant and intuitive. By simply twisting the dial, the following modes can be selected:

- Park, for when the vehicle is stationary and the wheels are locked
- Drive, for automatic forward motion
- Neutral, for when the vehicle is stationary, wheels are free
- Reverse, for automatic backward motion

Fuel tank capacity

61 Litres (13.4 gallons) – Petrol models.

50 Litres (10.9 gallons) – Diesel models.

AdBlue tank capacity

17 Litres (3.7 gallons).

Steering

Turning circle (kerb-to-kerb) –

11.0m (36ft) Life models,

11.8m (38.7ft) Life XL models.

Weights and Towing Data (kg)

| | Gross Vehicle Weight (GVW) | Maximum towing weights, braked (unbraked) |
|-------------------------------|----------------------------|---|
| COMBO LIFE | | |
| 1.2 (110PS) Turbo | 2040 | 1150 (600) |
| 1.5 (100PS) Turbo D | 2095 | 1300 (730) |
| 1.5 (130PS) Turbo D automatic | 2130 | 1500 (730) |
| 1.5 (100PS) Turbo D (7-seat) | 2250 | 1150 (600) |
| COMBO LIFE XL | | |
| 1.5 (100PS) Turbo D (7-seat) | 2310 | 1250 (600) |



PETROL ENGINE

| | |
|-----------------------|--|
| Engine | 1.2 (110PS) Turbo Start/Stop |
| Capacity | 1199cc |
| Maximum power | 110PS (81kW) @ 5500rpm |
| Maximum torque | 205Nm (151 lb.ft.) @ 1750rpm |
| Configuration | 3 cylinders, 4 valves per cylinder, double overhead camshafts |
| Fuel/induction system | Turbocharger. Variable Valve Timing. Direct fuel injection |
| Emission compliance | Euro 6d-TEMP (6.2) |
| Service interval | 25,000 kilometres or 1 year (whichever occurs sooner) |



DIESEL ENGINES

| Engine | 1.5 (100PS) Turbo D Start/Stop | 1.5 (130PS) Turbo D Start/Stop |
|-----------------------|---|---|
| Capacity | 1499cc | 1499cc |
| Maximum power | 100PS (75kW) @ 3500rpm | 130PS (96kW) @ 3750rpm |
| Maximum torque | 250Nm (184 lb.ft.) @ 1750rpm | 300Nm (221 lb.ft.) @ 1750rpm |
| Configuration | 4 cylinders, 4 valves per cylinder, double overhead camshafts | 4 cylinders, 4 valves per cylinder, double overhead camshafts |
| Fuel/induction system | Variable-nozzle turbocharger with electric switching. Common rail direct injection | Variable-nozzle turbocharger with electric switching. Common rail direct injection |
| Emission compliance | Euro 6d-TEMP (6.2). Diesel Particulate Filter | Euro 6d-TEMP (6.2). Diesel Particulate Filter |
| Service interval | 30,000 kilometres or 1 year (whichever occurs sooner) | 30,000 kilometres or 1 year (whichever occurs sooner) |